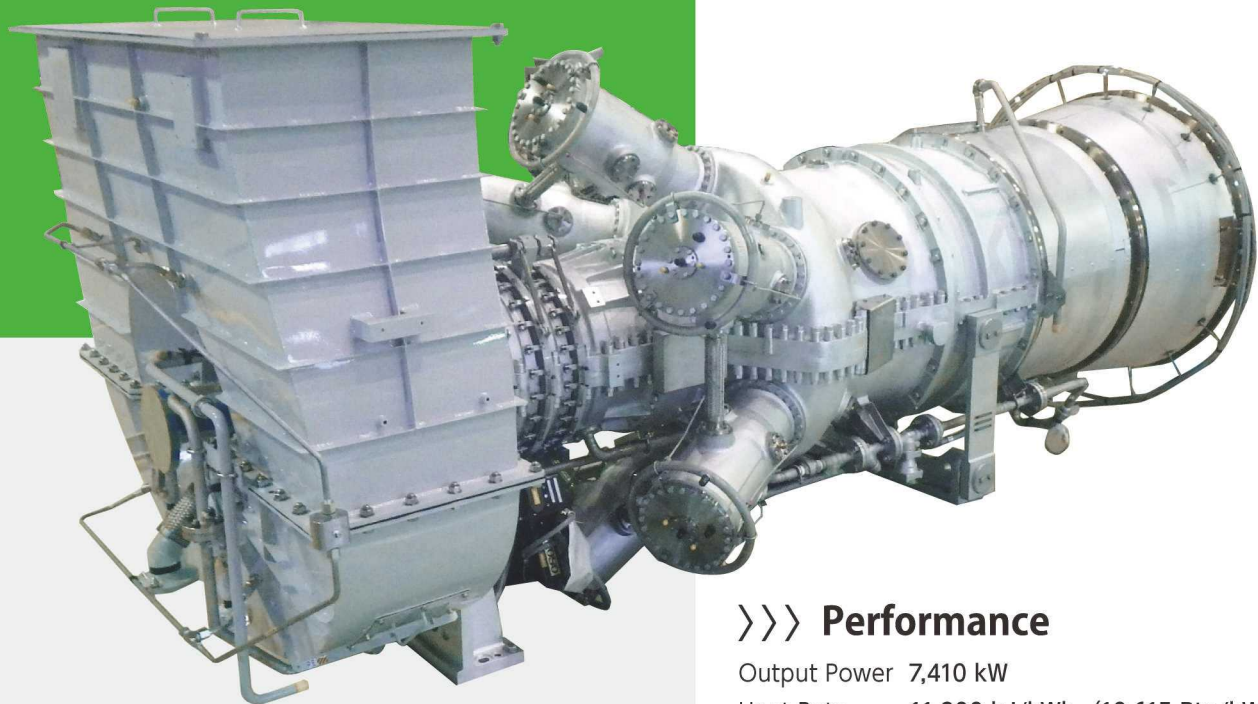


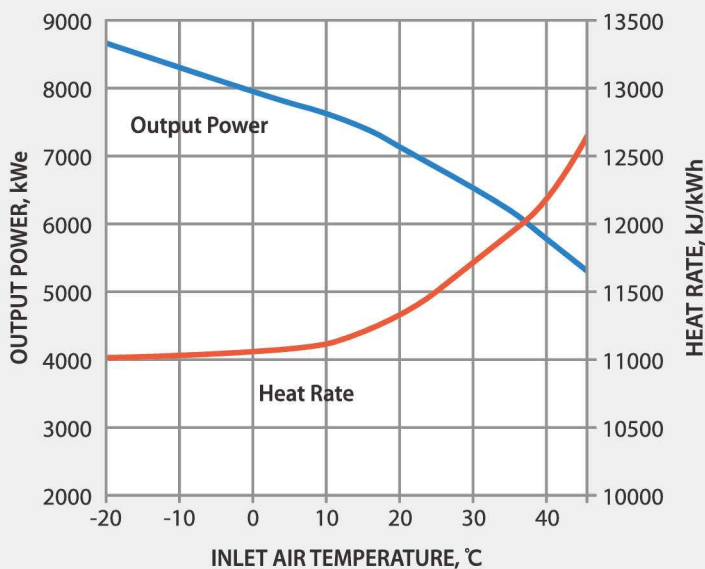


GPB80

Gas Turbine Generator Set for Oil & Gas Applications

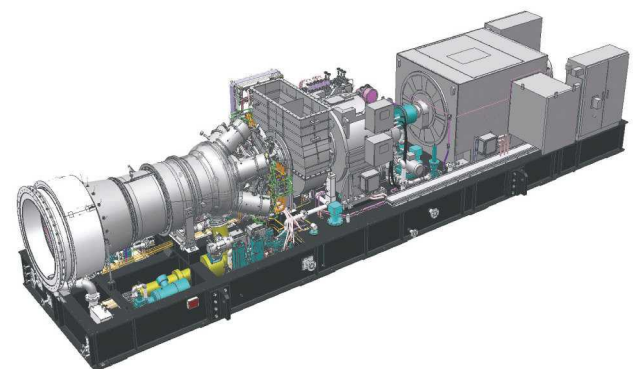


Available Power



>>> Performance

Output Power 7,410 kW
 Heat Rate 11,200 kJ/kWh (10,615 Btu/kWh)
 Exhaust Flow 27.3 kg/s Exhaust Temp. 523°C



- Nominal Rating per ISO at 15°C, at sea level
- Inlet loss: 0.98kPa, Exhaust loss: 1.96kPa
- Relative humidity 60% ■ Natural gas (100% CH₄, LHV=35.8 MJ/Nm³)
- Diffusion combustor without water injection
- Nominal performance at generator terminals (generator efficiency 96.5 %)

General Specification

M7A-03 Gas Turbine

- Heavy Duty, Single Shaft
- 11stage Axial Flow Compressor with Variable Vane System
- 6 Can Combustors
- Dry Low Emissions (optional)
- 4 stage Axial Turbine
- Tilting Pad Journal Bearing
- Tilting Pad Thrust Bearing
- Shaft Vibration Transducer

Reduction Gearbox

- Epicyclic Type
- 1500 or 1800 rpm (50Hz or 60Hz)

Generator

- 3-Phase, 4 Wire, Synchronous
- NEMA MG1

Package Features

- 316L Stainless Steel Piping
- Electrical System for Zone 2
- VFD Motor Start System
- 24V DC Control Battery/Charger (optional)
- Redundant PLC-based Control System
- Integrated Lube Oil System
- Duplex Lube Oil Filter
- Gearbox Driven Main Pump
- AC Motor Driven Pre/Post Pump
- DC Motor Driven Emergency Pump
- Redundant Enclosure Ventilation Fan
- Air Inlet and Exhaust System (optional)
- Waterproof and Acoustic Enclosure
- Fire Fighting System
- Factory Testing of Turbine and Package

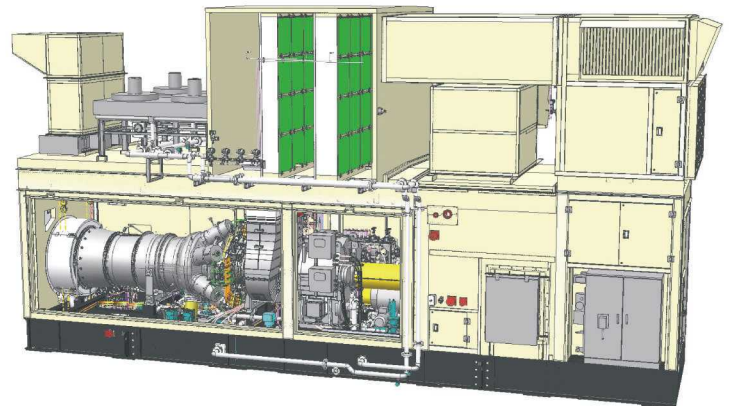
Package Dimensions

Length: 11.9 m

Width: 2.8 m

Height: 3.7 m

Weight: 63 ton (Package)



global.kawasaki.com/en/energy/equipment/gas_turbines/index.html

Kawasaki Heavy Industries, Ltd. Gas Turbine Division
Phone: +81-3-3435-2579 Fax: +81-3-3435-2592

Kawasaki Machine Systems, Ltd. (Asia Division)
Phone: +81-3-3435-2977 Fax: +81-3-3435-2592

Kawasaki Gas Turbine Asia Sdn Bhd : (KGA)
Phone: +60-3-7846-2882 Fax: +60-3-7848-3093
www.kga.com.my

Kawasaki Gas Turbine Europe GmbH : (KGE)
Phone: +49-6172-7363-0 Fax: +49-6172-7363-55
www.kawasaki-gasturbine.de

Kawasaki Gas Turbines-Americas : (KGT-A)
Phone: +1-281-970-3255 Fax: +1-281-970-6465
www.kawasakigasturbines.com

Kawasaki Machine Systems, Ltd. (Korea Branch)
Phone: +82-2-527-2201 Fax: +82-2-527-2205

Kawasaki Machine Systems, Ltd. (Shanghai Rep.Office)
Phone: +86-21-3366-3500 Fax: +86-21-3366-3505

**Kawasaki Gas Turbines-Americas
(Houston, TX)**

**Kawasaki Gas Turbine Europe GmbH
(Bad Homburg, Germany)**

**Kawasaki Machine Systems, Ltd.
(Korea Branch)**

**Kawasaki Heavy Industries, Ltd.
Kawasaki Machine Systems, Ltd. (Asia Division)
(Tokyo, Japan)**

**Kawasaki Machine Systems, Ltd.
(Shanghai Rep. Office)**

**Kawasaki Gas Turbine Asia Sdn Bhd
(Shah Alam, Malaysia)**

